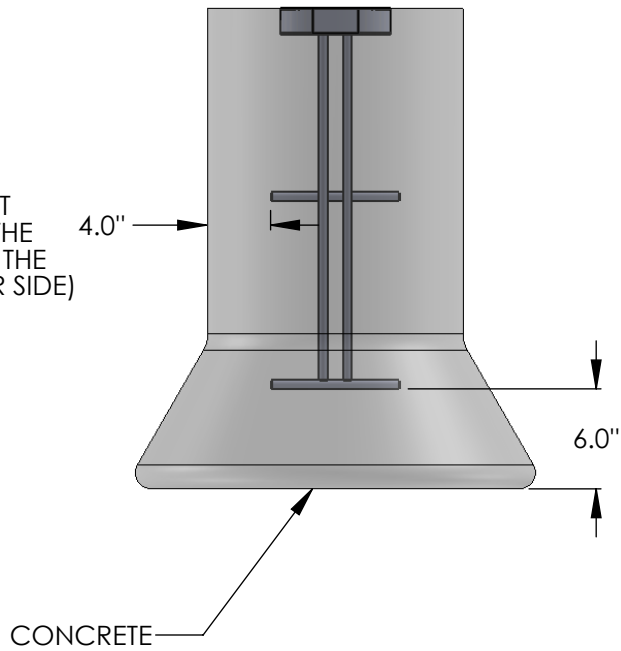


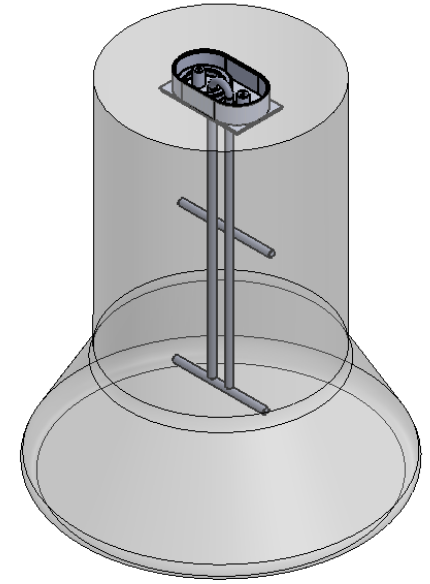
# ANCHOR INSTALLATION GUIDELINES

## COMPACTED SOIL

HOLE DIAMETER  
**MUST** BE AT LEAST  
8" WIDER THAN THE  
WIDEST PART OF THE  
ANCHOR (4" PER SIDE)



HOLE DEPTH **MUST**  
BE AT LEAST 6" DEEPER  
THAN THE LENGTH OF  
THE ANCHOR



**ANCHOR MFG**  
**Eagan, Minnesota**